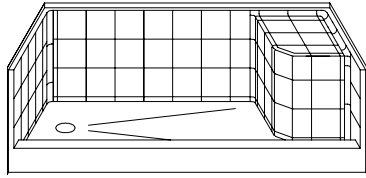


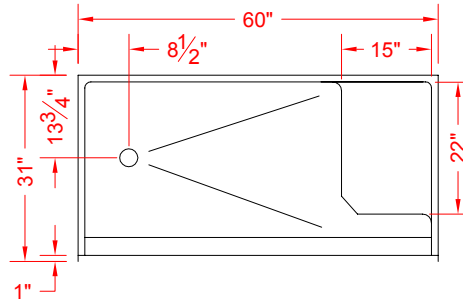
# MODEL: PSS6030

# REMODELER

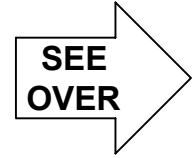
ALL ACCESSORIES OPTIONAL



**PERSPECTIVE VIEW - N.T.S.**  
**MODEL SHOWN HERE AS:**  
**LEFT HAND**

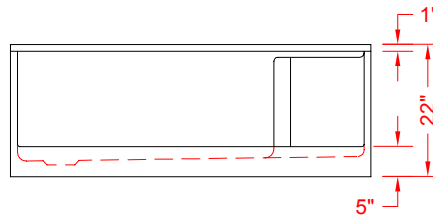


**TOP VIEW - SCALE:  $\frac{3}{8}'' = 1'-0''$**



## Features:

- Gelcoat/fiberglass one piece shower pan
- Six inch Simulated Tile wall finish, white (standard)
- Integral full wood backing for strength and unlimited accessory placement
- The authentic look of ceramic tile without the grout



**FRONT ELEVATION - SCALE:  $\frac{3}{8}'' = 1'-0''$**

\* - SEE BACK FOR DETAIL SECTIONS

## PRODUCT SPECIFICATIONS:

- Seat shower pan shall be constructed of gelcoat/fiberglass with full integral plywood backing in the walls
- Rough-In: Stud opening +1/4" -0" Nominal Dimensions.

C.S.I. FORMAT SPECIFICATION TEXT AVAILABLE

## PRODUCT INFORMATION:

- Accessories: Polished chrome/satin stainless standard, others available.
- Colors: White as standard, others to match any major fixture manufacturer, also available with sprayable solid surface in many colors

## ACCESSORIES:

### INSTALLED BY OTHERS:

- Grab bar
- Mixing valve, pressure balanced, lever handle, preplumbed tree to supply elbow
- Curtain and rod

## CODES:

- Designed and manufactured in compliance with the following standards and codes:
- A.N.S.I. Z1241.2 Standards for plastic Bathtubs and Showers
  - I.P.C. International Plumbing Code
  - U.P.C. Uniform Plumbing Code

## NOTICE OF LIMITATION:

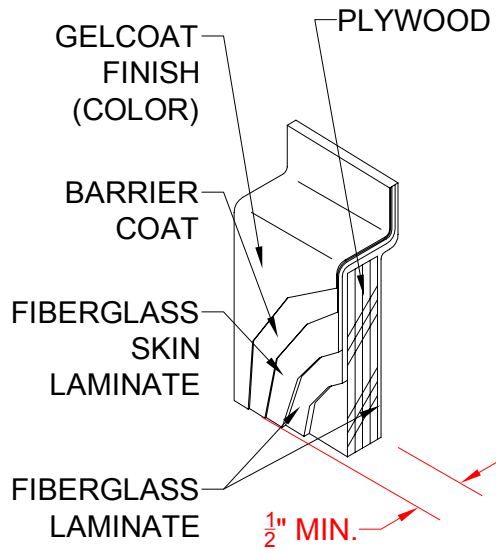


www.orcahealthcare.com  
 Tel: 1-855-566-6722

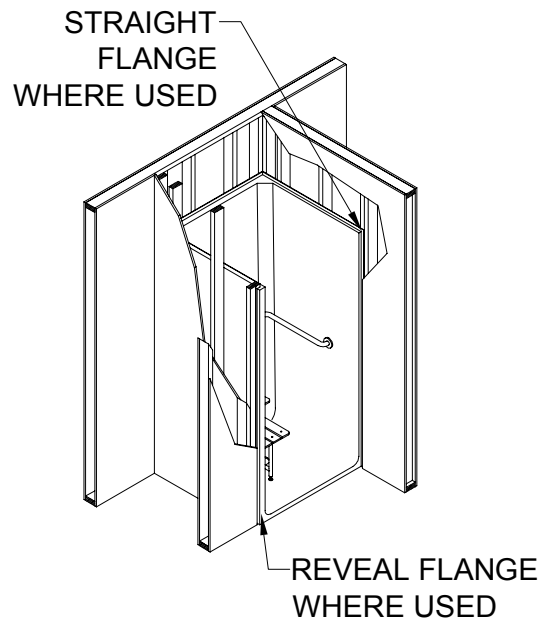


We reserve the right to make revisions without notice in the design of fixtures or in packaging unless this right has specifically been waived at the time the order is accepted.

# Remodeler



DETAIL A - SCALE N.T.S.  
WALL SECTION DETAIL



DETAIL D - SCALE N.T.S.  
TYPICAL FRAMING DETAIL

