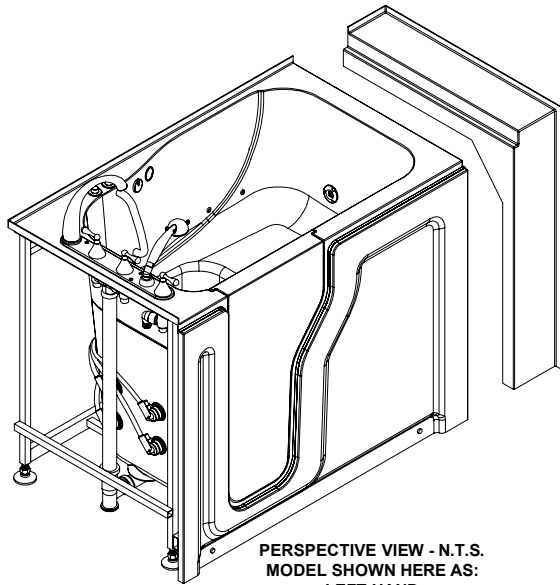


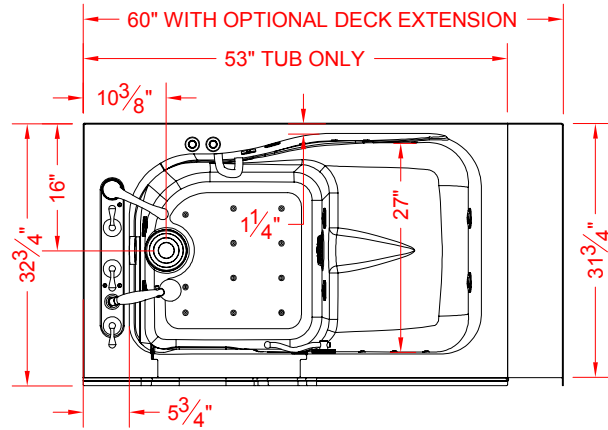
MODEL: XTW5332 L/R

ESCAPE PLUS

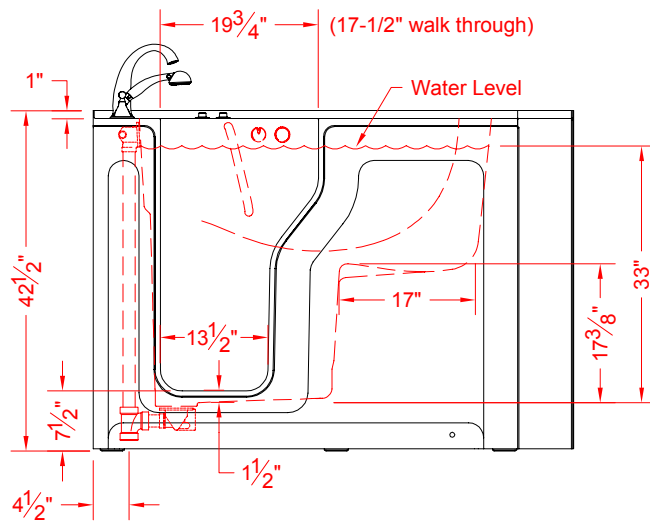
SHOWN WITH OPTIONAL DECK EXTENSION AND JET SYSTEMS



PERSPECTIVE VIEW - N.T.S.
MODEL SHOWN HERE AS:
LEFT HAND
WITH AMERICAN FAUCET VALVE



TOP VIEW - SCALE $\frac{1}{2}'' = 1'-0''$



FRONT VIEW - SCALE: $\frac{1}{2}'' = 1'-0''$

Features:

- Designed to fit in the space of your current bathtub
- Seat height is designed for ease of sitting and standing
- Extra deep for a full body soak
- Patented door lever handle designed for easy operation
- Reliable door seal that comes with a limited lifetime warranty
- Heated seat for comfort while draining
- Allows you the freedom to rehab at home
- 2" drain kit for faster draining
- Space under tub allows for "reverse" plumbing.
- Optional Syllent brand jet pump: a revolutionary, ultra quiet design that helps maintain water temperature without an external heater, limiting the power requirements to just 15 Amps/110 Volt
- Optional (heated) Airjet system (15 Amps/110 Volt)
- Optional Deck Extension to complete a 60" alcove installation
- Optional End Panel to complete a corner installation

PRODUCT SPECIFICATIONS:

-Walk-in jetted bathtub with pressure sealed door shall be of gelcoat / composite construction and have a magnetically attached panel and optional deck/skirt extension or end panel.

C.S.I. FORMAT SPECIFICATION TEXT AVAILABLE

PRODUCT INFORMATION:

- Accessories: Factory installed Tub Bar and optional plumbing rough-in, all other accessories installed by others
- Colors: White as standard, Almond optional
- Also available with sprayable solid surface in many colors
- Fill volume with a 170 lbs. bather: 88 gallons
- Soaker tub weight, dry, approx. 197 lbs.
- Total weight of soaker tub, bather, and water: approx. 1027 lbs.
- Jetted tub weight, dry, approx. 237 lbs.
- Total weight of jetted tub, bather, and water: approx. 1067 lbs.

ACCESSORIES:

STANDARD:

- Tub bar
- 2" cable operated drain
- Heated seat

OPTIONAL:

- Moen tub filler package
- American Faucet premium $\frac{3}{4}''$ tub filler package
- Thermostatic mixing valve options
- Grab bars for installation on wall surround
- Air jet system for additional therapy action using preheated air with 22 air jets.
- Syllent Brand Jet Pump with 8 directional jets and air volume control
- Ozone sanitation system for water jet system
- Flange trim kit
- End panel
- Deck Extension

CODES:

Designed and manufactured in compliance with the following standards and codes:

- C.S.A. B45.5-11 / A.N.S.I. Z124-2011 Plastic Plumbing Fixtures
- A.S.M.E. A112.19.7M-1995 Whirlpool Bathtub Appliances
- A.S.M.E. A112.19.8M-1987 Suction Fittings for use in Whirlpool Bathtubs
- A.S.M.E. A112.19.15-2001 Bathtubs / Whirlpool Bathtubs with pressure sealed doors
- Underwriters Laboratories 1795 Hydro Massage Bathtubs



www.orcahealthcare.com
Tel: 1-855-566-6722



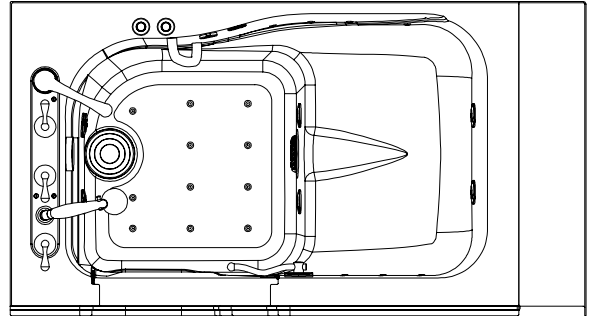
We reserve the right to make revisions without notice in the design of fixtures or in packaging unless this right has specifically been waived at the time the order is accepted.

OPTIONAL JET PACKAGES

XTW5332 with water and air jet systems*

Chrome USA.....	KWJ8CHUS + KAJCHUS
Chrome Canada.....	KWJ8CHCAN + KAJCHCAN
White USA.....	KWJ8WHUS + KAJWHUS
White Canada.....	KWJ8WHCAN + KAJWHCAN
Bone USA.....	KWJ8AIUS + KAJAIUS
Bone Canada.....	KWJ8AICAN + KAJAICAN
Ozone water jet system sanitation..	ACXCGA1001

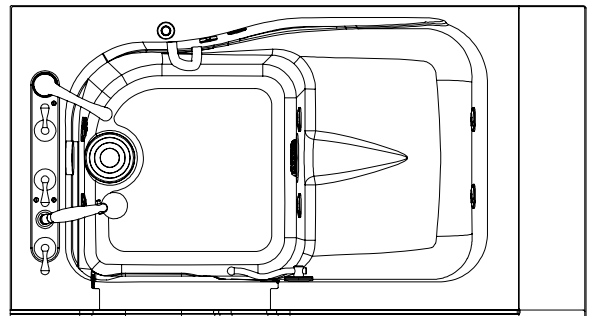
*REQUIRES TWO 15A CIRCUITS (US) OR ONE 30A CIRCUIT (CANADA)



XTW5332 with water jet system*

Chrome USA.....	KWJ8CHUS
Chrome Canada.....	KWJ8CHCAN
White USA.....	KWJ8WHUS
White Canada.....	KWJ8WHCAN
Bone USA.....	KWJ8AIUS
Bone Canada.....	KWJ8AICAN
Ozone water jet system sanitation..	ACXCGA1001

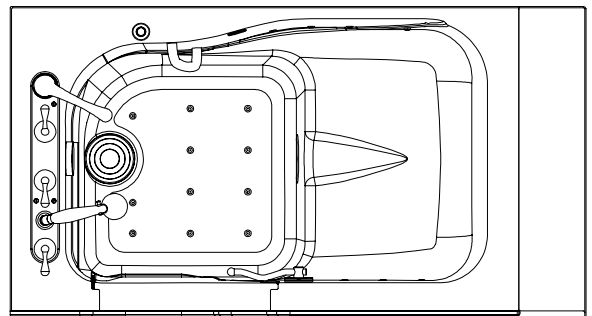
*REQUIRES ONE 15A CIRCUIT



XTW5332 with air jet system*

Chrome USA.....	KAJCHUS
Chrome Canada.....	KAJCHCAN
White USA.....	KAJWHUS
White Canada.....	KAJWHCAN
Bone USA.....	KAJAIUS
Bone Canada.....	KAJAICAN

*REQUIRES ONE 15A CIRCUIT

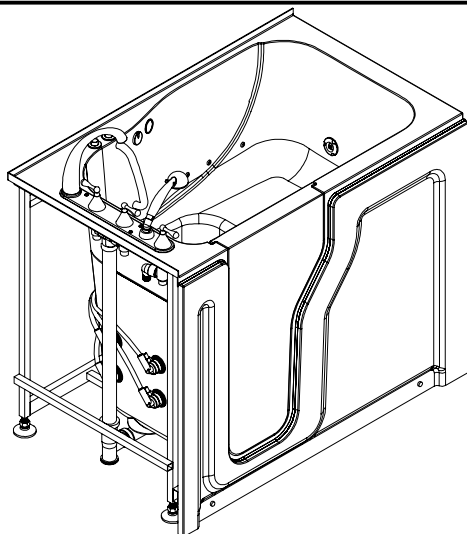


Power Requirements:
 Water jet system 120V/15A (draws 9.4A)
 Air jet System 120V/15A (draws 9.5A)
 Heated Seat 120V/15A (draws 0.2A)
 Ozone Generator 120V/15A (draws 0.4A)
 Water Pump - US: Syllent MB71E0032AS/UL
 CAN: Syllent MB71E0032AS/UL-M
 Air Pump - US/CAN: CG Air SLO-3-75-120/60A-N
 Suction Fitting: CG Air SUC-S



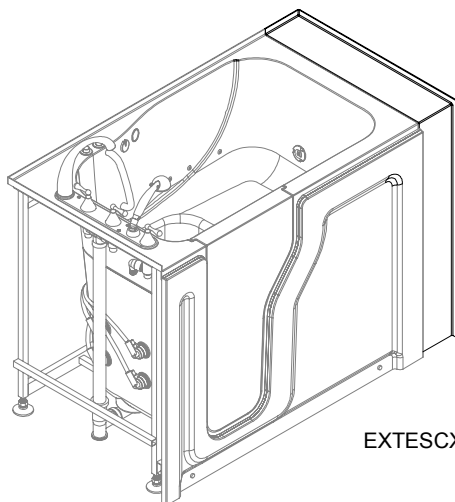
ESCAPE PLUS WALK-IN JETTED BATHTUB CONFIGURATIONS AVAILABLE:

①



- No additional accessories included.

②



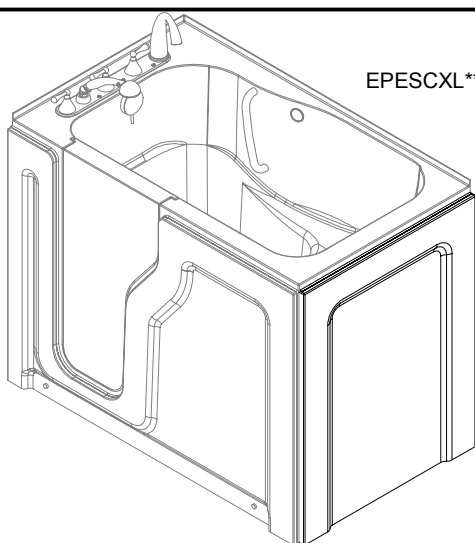
- With Deck Extension
- Fits in the space of a typical 5 ft. bathtub or shower
- Generally for an ALCOVE installation.

Escape Plus Deck Extension
Model # EXTESCXL / EXTESCXR

** EXTENSION HANDING TO MATCH TUB
(INSTALLED OPPOSITE THE PLUMBING)

EXTESCXL ** SHOWN HERE

③



EPESCXL ** SHOWN HERE

- With End Panel
- Generally for a CORNER installation.

Escape Plus End Panel
Model # ENDPANELESCX

** END PANEL HANDING TO MATCH TUB
(INSTALLED OPPOSITE THE PLUMBING)

