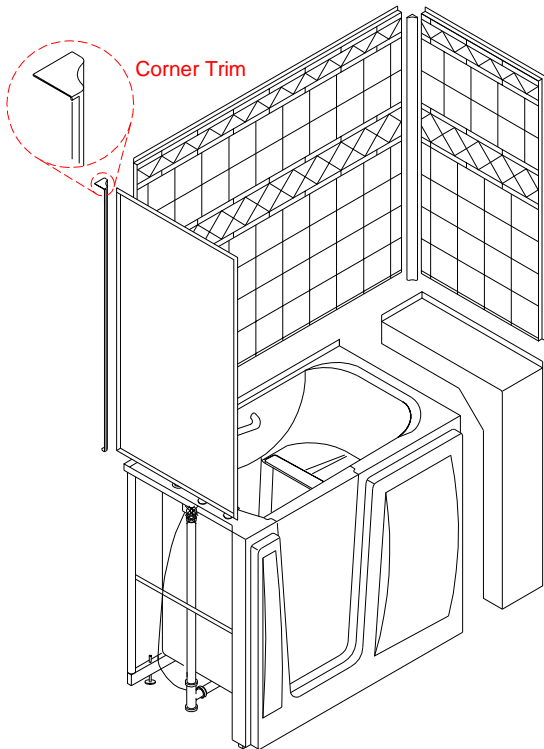


MODEL: XTW5026 L/R

LIBERTY

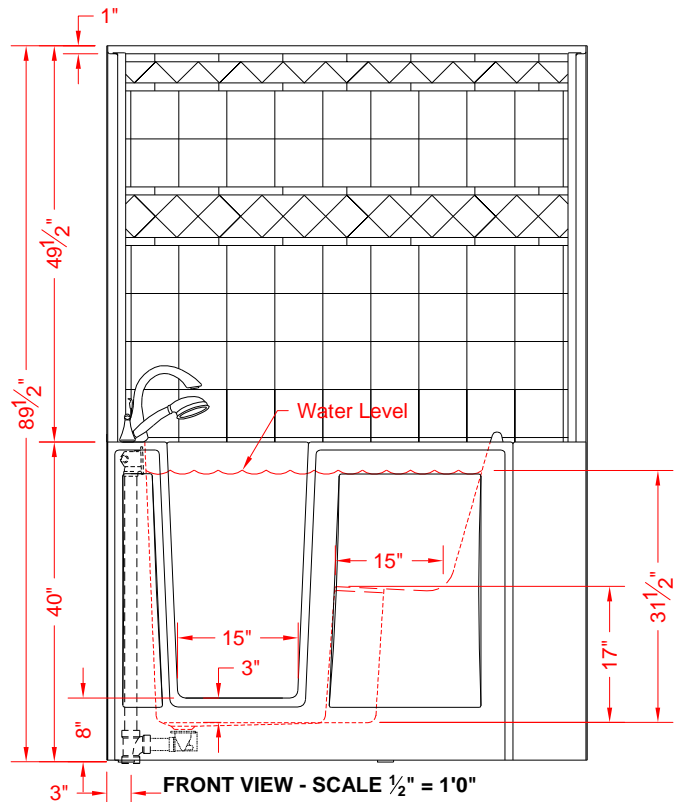
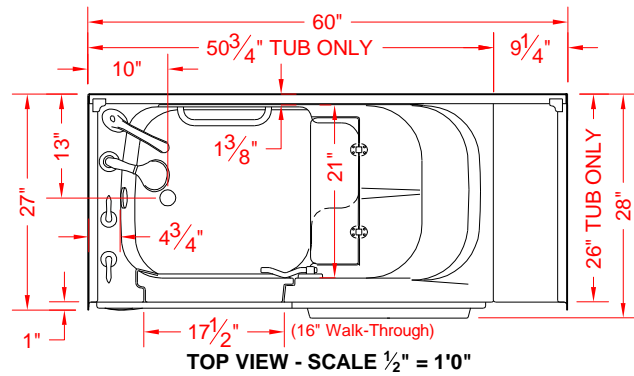
SHOWN WITH OPTIONAL THREE PIECE UNIVERSAL WALL SURROUND AND DECK EXTENSION



PERSPECTIVE VIEW - N.T.S.
MODEL SHOWN HERE AS:
LEFT HAND

Features:

- Designed to fit in the space of your current bathtub
- Swing up seat for easy entry
- Seat height is designed for ease of sitting and standing
- Extra deep for a full body soak
- Innovative door handle designed for easy operation
- Reliable door seal with a lifetime warranty
- Heated seat for comfort while filling and draining
- Tile Look Wall surround system with integral plywood backing
- Allows you the freedom to rehab at home
- Removable access panel gives easy install through a 26" bathroom door way
- Space under tub allows for "reverse" plumbing



PRODUCT SPECIFICATIONS:

- Walk-in bathtub with pressure sealed door shall be of gelcoat / fiberglass construction with a welded steel frame and have a removable front skirt for plumbing and equipment access.
- The wall system shall be "Universal" in that it can be cut to fit odd framing conditions.

C.S.I. FORMAT SPECIFICATION TEXT AVAILABLE

PRODUCT INFORMATION:

- Accessories: Factory installed Tub Bar and optional plumbing rough-in, all others installed by others
- Colors: White as standard, Almond optional
- Also available with sprayable solid surface in many colors
- Fill volume with a 170 lbs. bather: 76 gallons
- Tub weight, dry, approx. 152 lbs.
- Total weight of jetted tub, bather, and water: approx. 953 lbs.

Power Requirements:
Heated Seat 120V/15A (draws 0.2A)

ACCESSORIES:

STANDARD:

- Tub bar
- Cable operated tub drain

OPTIONAL:

- Roman tub filler
- Hand shower
- Thermostatic mixing valve
- Grab bars for installation on wall surround
- Custom Tile Accenting on Wall
- Window trim kit
- Flange trim kit

CODES:

Designed and manufactured in compliance with the following standards and codes:

- I.A.P.M.O. / A.N.S.I. Z124.1.2-2005 Plastic Bathtubs and Showers
- A.S.M.E. A112.19.15-2001 Bathtubs / Whirlpool Bathtubs with pressure sealed doors



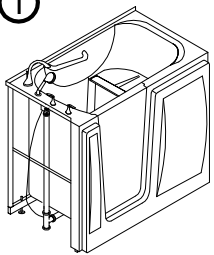
www.orcahealthcare.com
Tel: 1-855-566-6722



We reserve the right to make revisions without notice in the design of fixtures or in packaging unless this right has specifically been waived at the time the order is accepted.

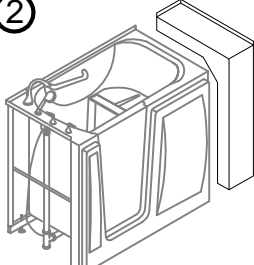
LIBERTY WALK-IN BATHTUB CONFIGURATIONS AVAILABLE:

①



- No additional accessories included.

②

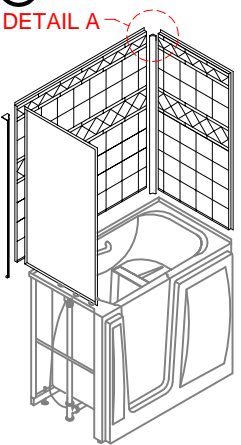


- With Deck Extension
- Fits in the space of a typical 5 ft. bathtub or shower
- Generally for an ALCOVE installation.

Liberty Deck Extension
Model # LIBEXT-L/R

③

DETAIL A

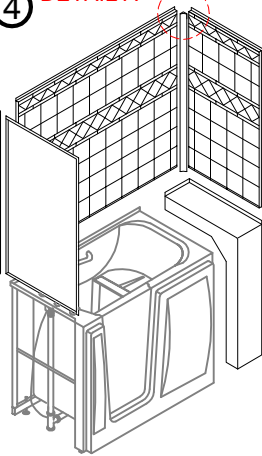


- With three walls: a back wall and two side walls.
- ALCOVE installation for a framing pocket of 50-3/4" x 26"
- Available for custom configurations or new construction in the Universal** wall system only.
- This configuration requires an add-on nailing flange.

** Universal
Model # 3DWSU6030

④

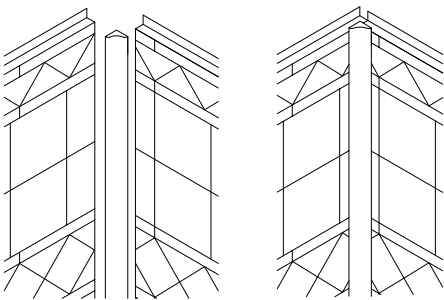
DETAIL A



- With Deck Extension and three walls: a back wall and two side walls.
- ALCOVE installation for a framing pocket of 60" x 26"
- Available for all standard configurations in the Universal** wall system only.

** Universal
Model # 3DWSU6030
Liberty Deck Extension
Model # LIBEXT-L/R

**Universal Wall System (Including Corner Trim: DETAIL A) can be cut to accommodate all installation scenarios with the Liberty Walk-In Bathtub



DETAIL A - SCALE: NTS
CORNER TRIM DETAIL



www.orcahealthcare.com
Tel: 1-855-566-6722



We reserve the right to make revisions without notice in the design of fixtures or in packaging unless this right has specifically been waived at the time the order is accepted.