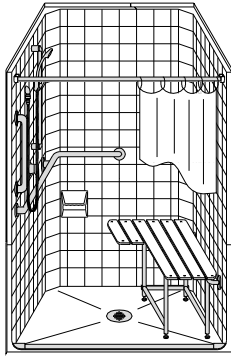


# MODEL: 3CS3838B5T\*

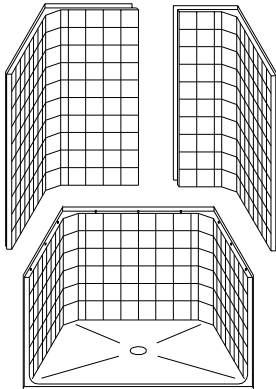
# BARRIER FREE

ALL ACCESSORIES OPTIONAL

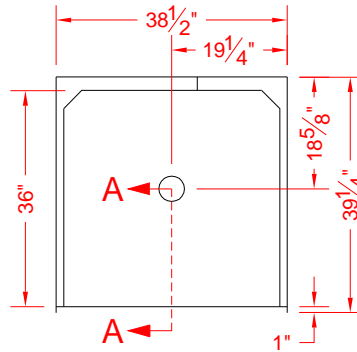


PERSPECTIVE VIEW - N.T.S.  
MODEL SHOWN HERE AS:

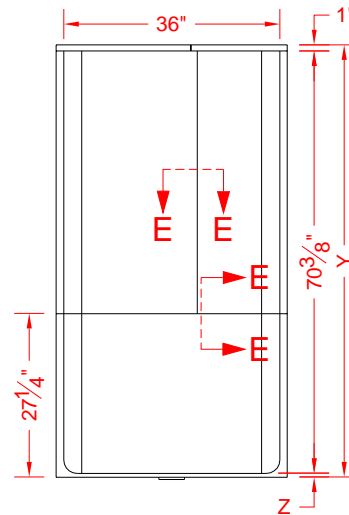
RIGHT SEAT  
LEFT PLUMBING



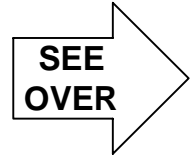
ASSEMBLY VIEW - N.T.S.



TOP VIEW - SCALE  $\frac{3}{8}'' = 1'-0''$



FRONT ELEVATION - SCALE:  $\frac{3}{8}'' = 1'-0''$



## Features:

- Molded barrier free three piece gelcoat/fiberglass transfer shower
- Available in various threshold heights
- "Classic Tile" wall finish, white (standard)
- Integral full wood backing for strength and unlimited accessory placement
- On all threshold heights 1-1/2" or taller, no mud set is required
- On all threshold heights 1-1/4" or shorter, no mud set is required, but an adhesive kit is supplied

## \*OTHER THRESHOLD HEIGHTS AVAILABLE UPON REQUEST

MODEL #	UNIT HEIGHT	THRESHOLD HEIGHT
3CS3838B5T	Y	Z*
3CS3838B15T	72"	5/8" MIN.
	73-1/8"	1 3/4" MAX.

\* - SEE BACK FOR DETAIL SECTIONS

## PRODUCT SPECIFICATIONS:

- Multi piece shower module shall be constructed of gelcoat/fiberglass with full integral plywood backing
- Rough-In: Stud opening +1/4" -0" Nominal Dimensions.

C.S.I. FORMAT SPECIFICATION TEXT AVAILABLE

## PRODUCT INFORMATION:

- Accessories: Factory installed, unless prone to damage during installation/shipping. Polished chrome/satin stainless standard, others available.
- Colors: White as standard, others to match any major fixture manufacturer, also available with sprayable solid surface in many colors
- Custom curb heights, other than shown, are available (between min. and max.)

## ACCESSORIES:

### INSTALLED BY OTHERS:

- Grab bar
- Seat, folding
- Mixing valve, pressure balanced, lever handle, pre-plumbed tree to supply elbow
- Soap dish
- Curtain and rod
- T-Shaped Rubber WaterStopper Kit
- Semi-permanent Threshold Adaptor
- Caulkless drain

## CODES:

- Designed and manufactured in compliance with the following standards and codes:
- A.N.S.I. Z124.2 Standards for Plastic Showers
  - I.P.C. International Plumbing Code
  - U.P.C. Uniform Plumbing Code
- \* See Notice of Limitation

## NOTICE OF LIMITATION:

- Adhere to floor as required

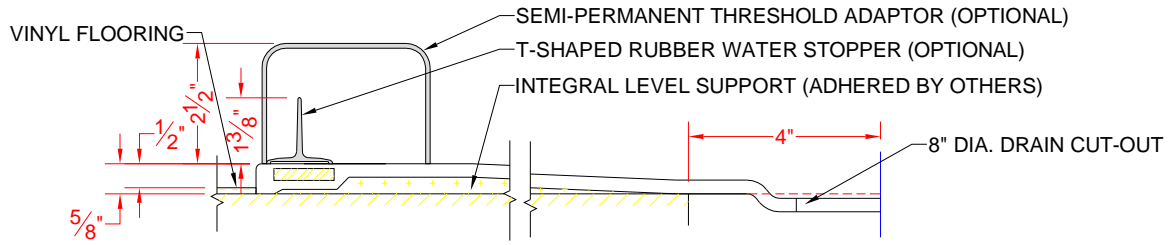


www.orcahealthcare.com  
Tel: 1-855-566-6722



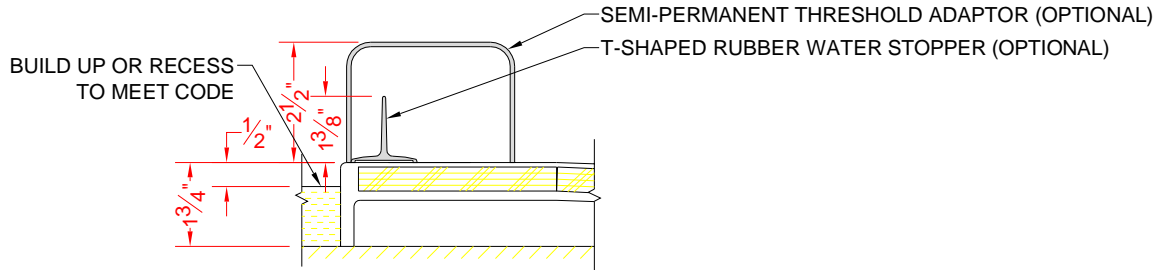
We reserve the right to make revisions without notice in the design of fixtures or in packaging unless this right has specifically been waived at the time the order is accepted.

**3CS3838B5T**



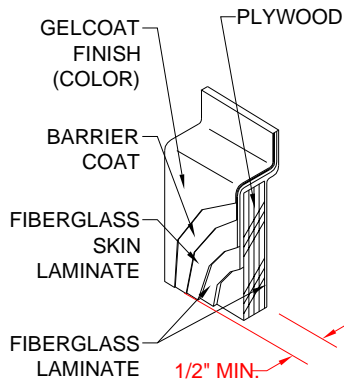
**SECTION A-A - SCALE: 3" = 1'-0"**

**3CS3838B17T**

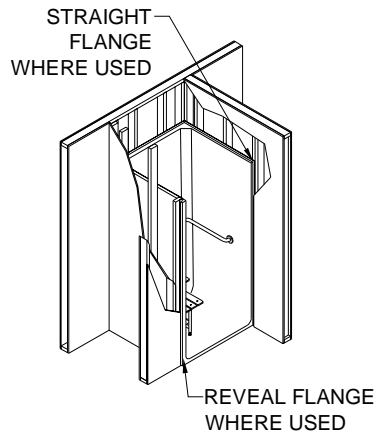


**SECTION A-A - SCALE: 3" = 1'-0"**

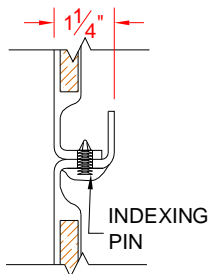
**\*\*OTHER THRESHOLD HEIGHTS AVAILABLE UPON REQUEST\*\***



**DETAIL B - SCALE: 3" = 1'-0"**  
**WALL SECTION DETAIL**



**DETAIL C - SCALE: NTS**  
**TYPICAL FRAMING**



**SECTION E - E - SCALE: NTS**  
**WALL JOINT DETAIL**

