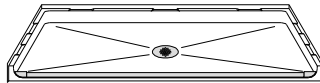
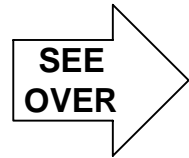
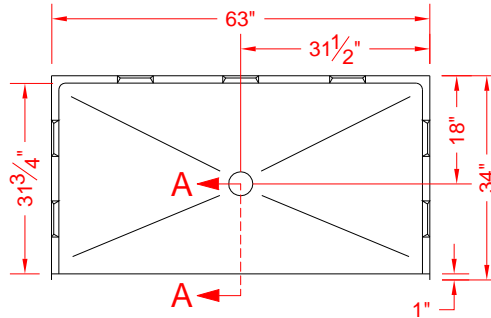


# MODEL: P6333A75T\*

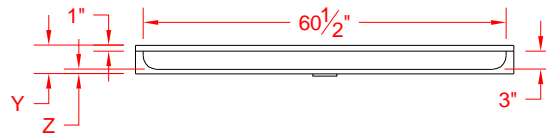
ALL ACCESSORIES OPTIONAL



PERSPECTIVE VIEW - N.T.S.



TOP VIEW - SCALE  $\frac{3}{8}'' = 1'-0''$



FRONT ELEVATION - SCALE:  $\frac{3}{8}'' = 1'-0''$

## Features:

- ADA compliant shower pan
- Available in various threshold heights
- Molded, one piece gelcoat/fiberglass shower pan
- On all threshold heights 1-1/2" or taller, no mud set is required
- On all threshold heights 1-1/4" or shorter, no mud set is required and an anchoring adhesive kit is supplied
- Indexing pockets on sheetrock ledge can be filled at factory upon request

## \*OTHER THRESHOLD HEIGHTS AVAILABLE UPON REQUEST

	UNIT HEIGHT	THRESHOLD HEIGHT
MODEL #	Y	Z*
P6333A75T	4-3/4"	3/4" MIN.
P6333A2T	6"	2" MAX.

\* - SEE BACK FOR DETAIL SECTIONS

## PRODUCT SPECIFICATIONS:

- One piece shower pan shall be constructed of gelcoat/fiberglass
- Rough-In: Stud opening +1/4" -0" Nominal Dimensions.

C.S.I. FORMAT SPECIFICATION TEXT AVAILABLE

## PRODUCT INFORMATION:

- Colors: White as standard, others to match any major fixture manufacturer, also available with sprayable solid surface in many colors
- Custom curb heights, other than shown, are available (between min. and max.)

## ACCESSORIES:

### INSTALLED BY OTHERS:

- Caulkless drain

## CODES:

- Designed and manufactured in compliance with the following standards and codes:
- A.N.S.I. Z124.2 Standards for Plastic Showers
  - I.P.C. International Plumbing Code
  - A.D.A. Accessibility Guidelines for Buildings and Facilities
  - A.N.S.I. A117.1 Accessible and Usable Buildings and Facilities
  - U.P.C. Uniform Plumbing Code

## NOTICE OF LIMITATION:

- Recess as needed to meet code
- Adhere to floor as required

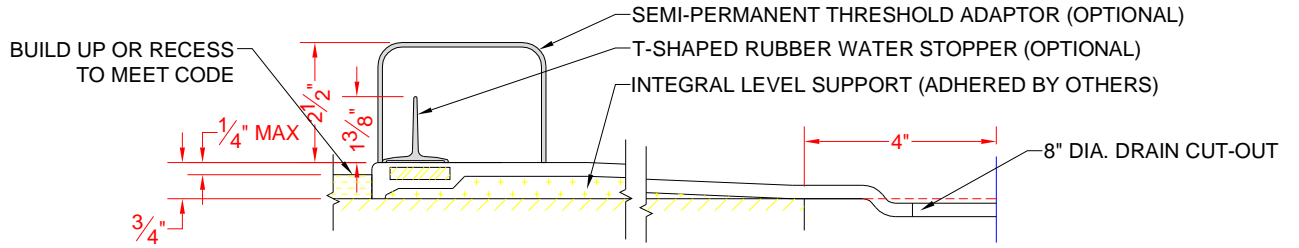


www.orcahealthcare.com  
Tel: 1-855-566-6722



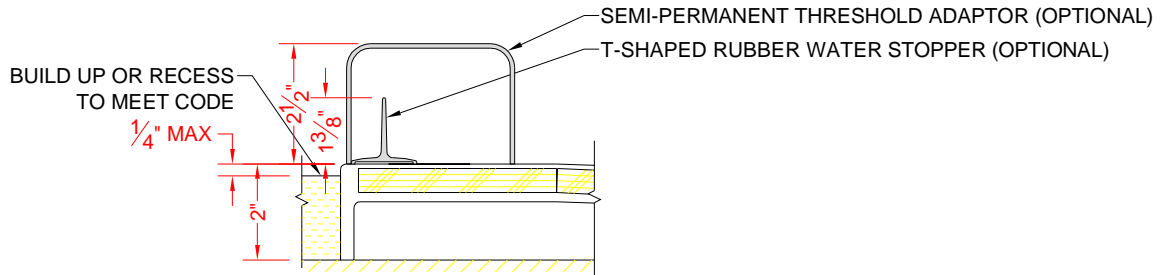
We reserve the right to make revisions without notice in the design of fixtures or in packaging unless this right has specifically been waived at the time the order is accepted.

P6333A75T



SECTION A-A - SCALE: 3" = 1'-0"

P6333A2T



SECTION A-A - SCALE: 3" = 1'-0"

**\*\*OTHER THRESHOLD HEIGHTS AVAILABLE UPON REQUEST\*\***

